



Summit Deluxe Console Assembly Guide



Summit Deluxe Console Assembly Guide

Contents

<u>Please Read Before Assembly</u>	2
<u>Legs and Anti-Sag Bars</u>	3
<u>Corners and Baying</u>	7
<u>Modesty panels</u>	11
<u>End panels</u>	123
<u>Cable Management</u>	14
<u>Power Distribution Units</u>	15
<u>Slatwall</u>	156
<u>Cable Grommets</u>	21
<u>Monitor Arms</u>	212
<u>Data Ports</u>	22
<u>Warranty</u>	23

Please Read Before Assembly

NOTE: Professional installation is available.

NOTE: Before installing your Summit™ Console, be sure and reference the floor plan created during the order process. Stage your consoles so that they are close to their final position to insure that everything will fit as intended. Once the consoles are assembled they are not able to be moved without risk of damage. So locating and leveling before assembly is a crucial step in getting the most out of your Summit™ Consoles.

WARNING: To avoid damage or injury, Inracks Inc. recommends that you take the time to level and stabilize the Summit™ consoles in their final location before installing any equipment. Please take the time to follow all instructions and if you have any questions please call 716-691-8300

BE GREEN: Shipping materials are recyclable. Please save them for later use or, dispose of them appropriately.

Unpacking your Summit Console

Unpack your Summit™ console components, use care if using a knife to open packages that you don't damage any contents. Inspect for any shipping damage. If shipping damage or defects are suspected contact Inracks Inc. Immediately. Some components can be heavy and may require help in handling.

Summit™ Console Assembly

Recommended tools:

- Electric screw gun with a #2 Phillips tip
- Two levels 18 - 24 inch long, one for left to right measurements and one for front to back measurements
- 1/4" socket wrench or nut driver
- 3/4" wrench (for slat wall configurations)

Legs and Anti-Sag Bars

Place the work surface face down on the floor. It's recommended that you use cardboard or other material to protect the work surface from potential damage while it's resting face down on the floor. See figure (1) for pilot hole identification.

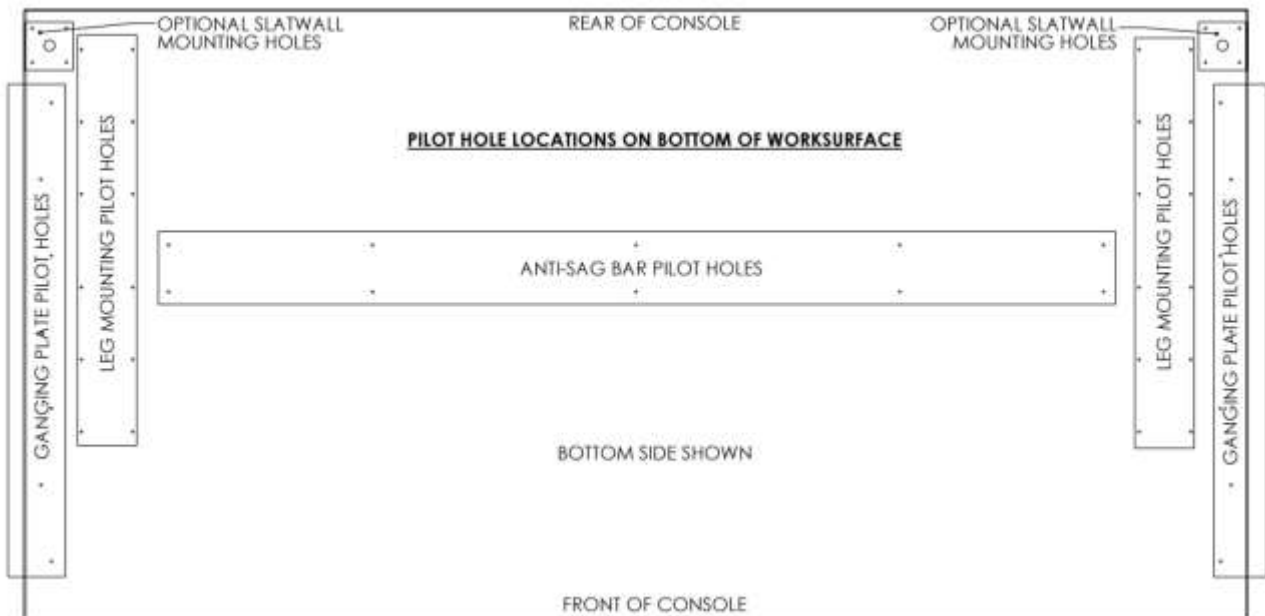


figure (1)

Pilot Hole Identification

WARNING: If using a screw gun take care to make sure that the clutch is set so that screws to not strip out pilot holes when installing. This precaution applies to all millwork components.

Install the legs using a Phillips screwdriver or screw gun with a #2 Phillips tip. Use the #8 x 3/4" Truss head screws. See figure (2) and figure (3)

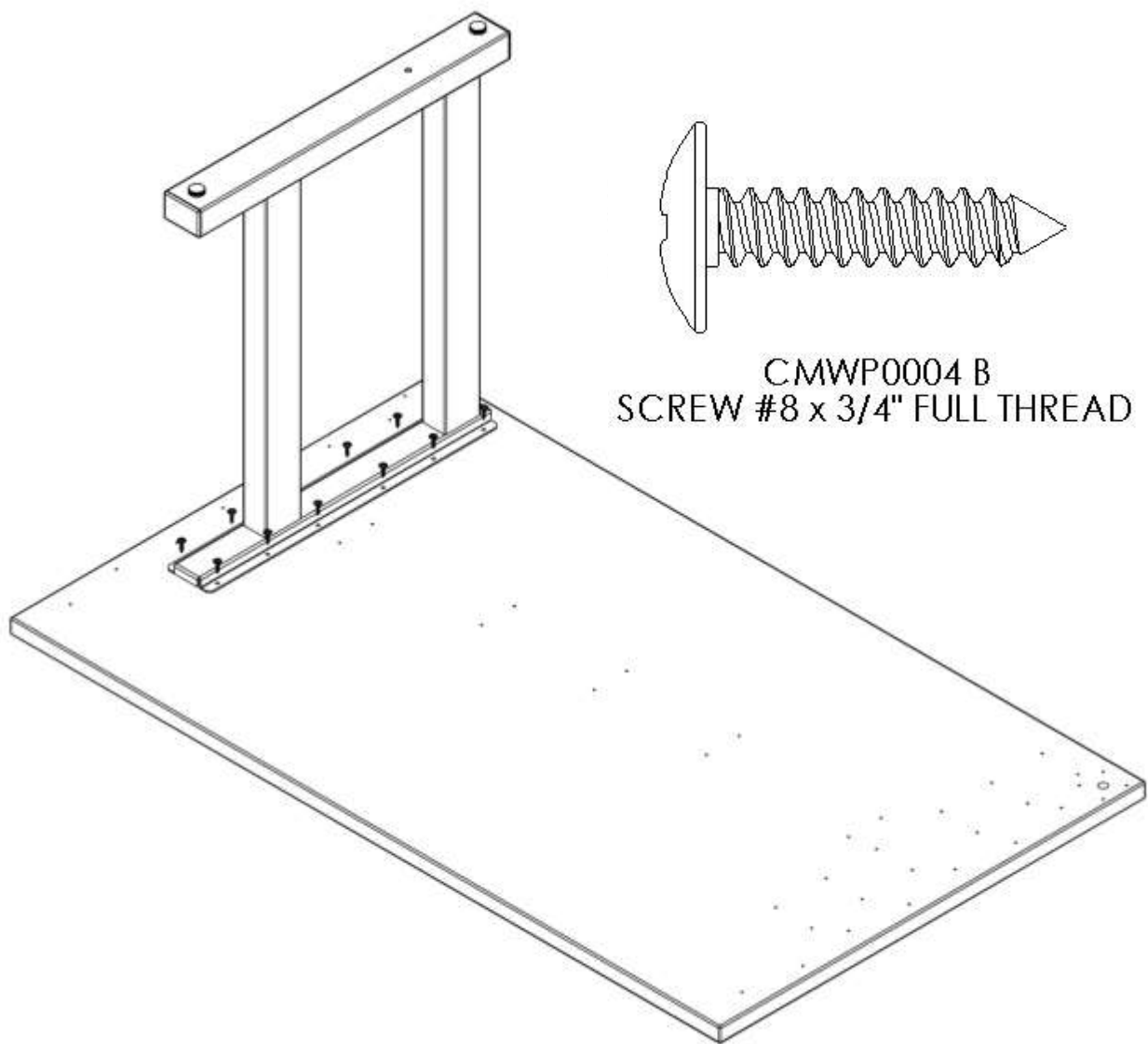


figure (2)

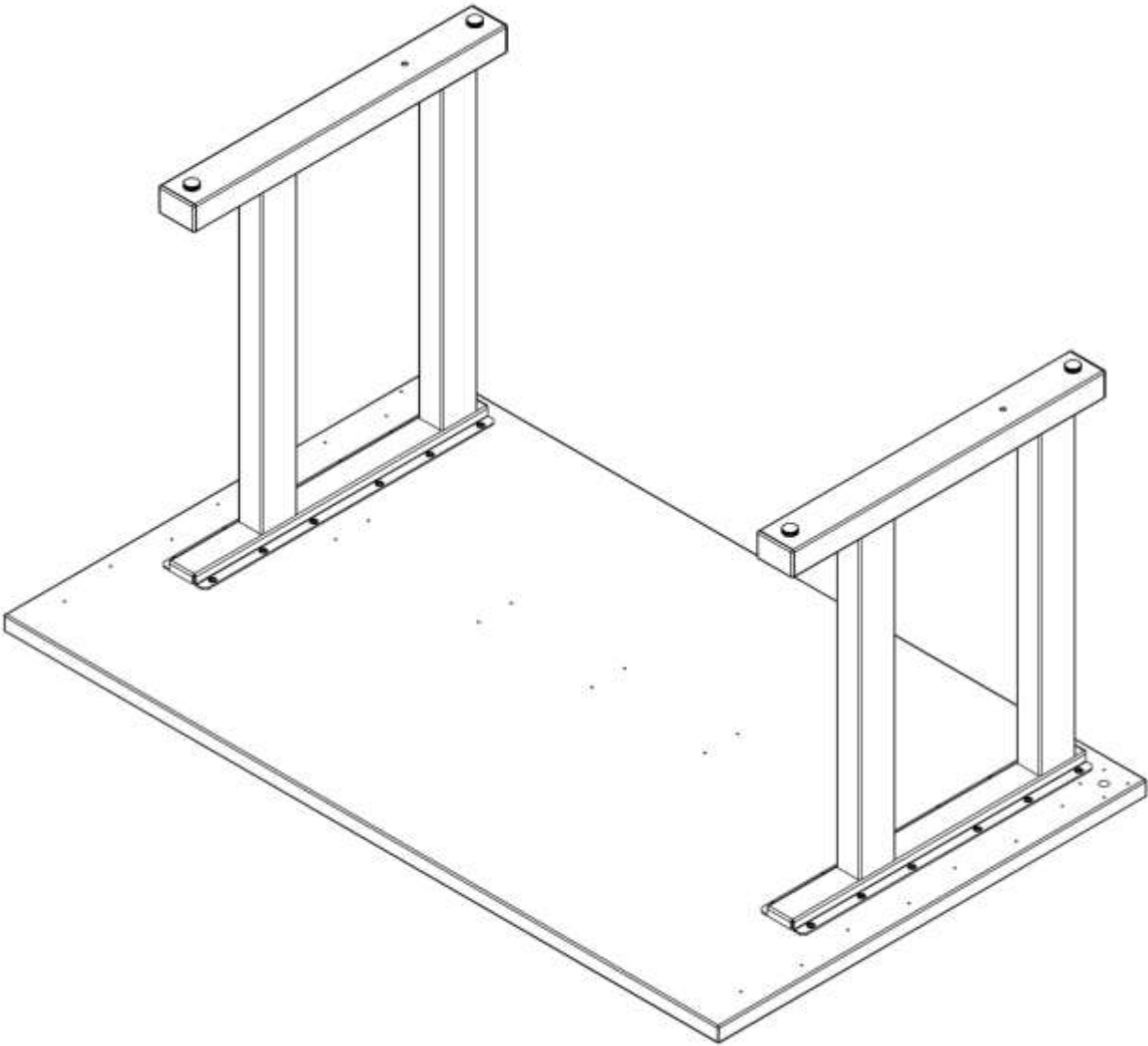


figure (3)

Completed leg installation

Install the anti-sag bar using a Phillips screwdriver or screw gun with a #2 Phillips tip. Use the #8 x 3/4" Truss head screws. See figure (4)

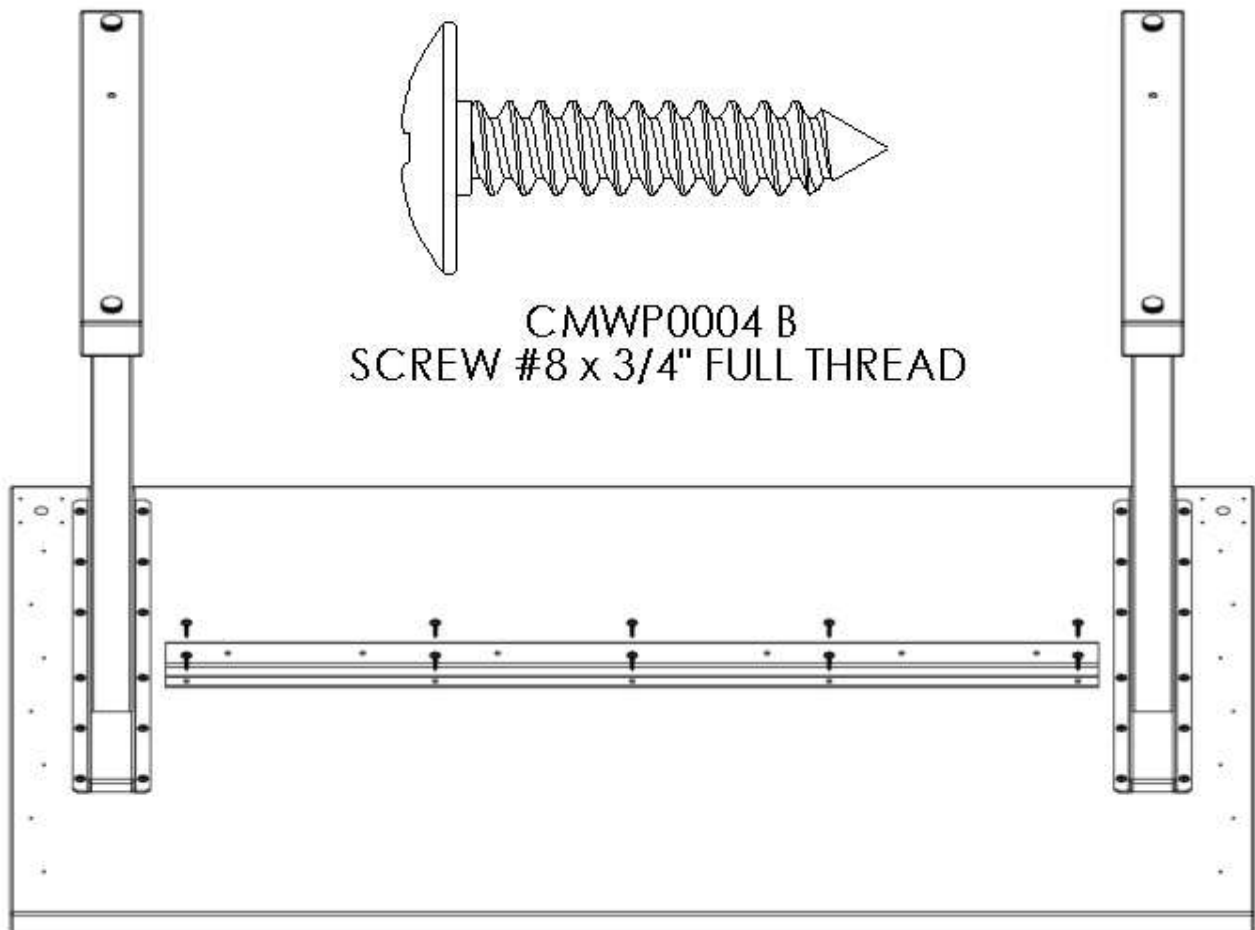


figure (4)

Once the anti-sag bar is in place stand the Summit™ console up on the legs, depending on the size of the console this might require two people.

After all your Summit™ console are assembled the next step will be installing the corner work surfaces and baying the consoles together.

Corners and Baying

WARNING: *Before installing corners or baying Summit™ consoles together position the consoles in their final positions. Once corners are installed or consoles are bayed together they are not intended to be moved! Trying to move consoles after installing corners or baying together can cause damage!*

NOTE: Forward and reverse corners at or near 90 degrees will include anti-sag bars due to the span of the corner. Corners less than that do not require anti-sag bars. Assembly image shows a 90 degree forward corner with anti-sag bar.

TIP: Mount the plates using the round holes in the plate first. Using the round holes first will place the plate in a fixed position. This will allow some adjustment with the oval holes in the plate when installing the corner work surface or baying the consoles together.

Install the corner support/baying plates to the bottom of the work surface using the #8 x 3/4" Truss head screws. Figure (5)

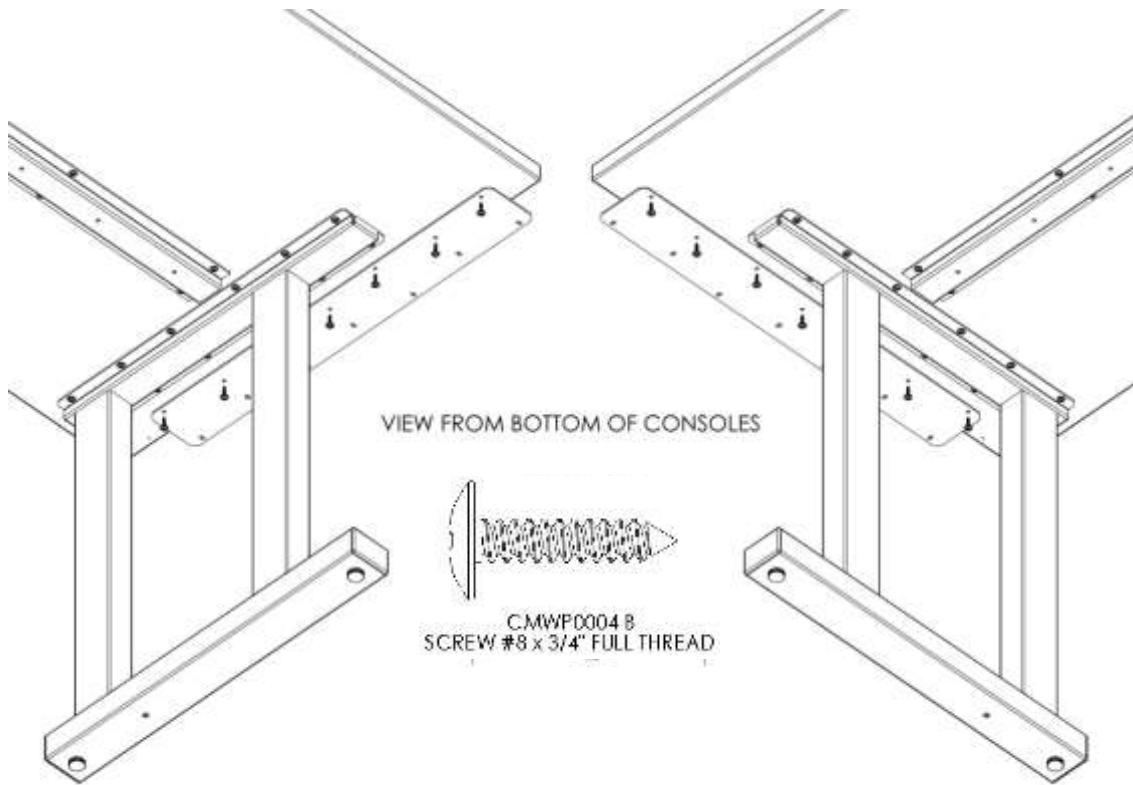


figure (5)

Next, place the corner work surface on the plates. Position the consoles so that seams are minimal and console work surfaces line up with corner work surfaces. This step is only to ensure that the consoles are in the correct position before leveling. Before leveling remove the corner work surface and set it aside.

IMPORTANT: At this time you will want to level the consoles. Place a level on the work surface from left to right. Using a 1/4" socket wrench or 1/4" nut driver adjust the leveling feet until the console is level. If protective cap is in place on the leg remove it to gain access to the top of the leveling foot. Be sure to adjust console for level installation along both the front to back and left to right planes. Turning the leveling foot from the top, right will raise the console and left will lower it. Figure (6) . After leveling replace or install protective caps over leveling feet access holes.

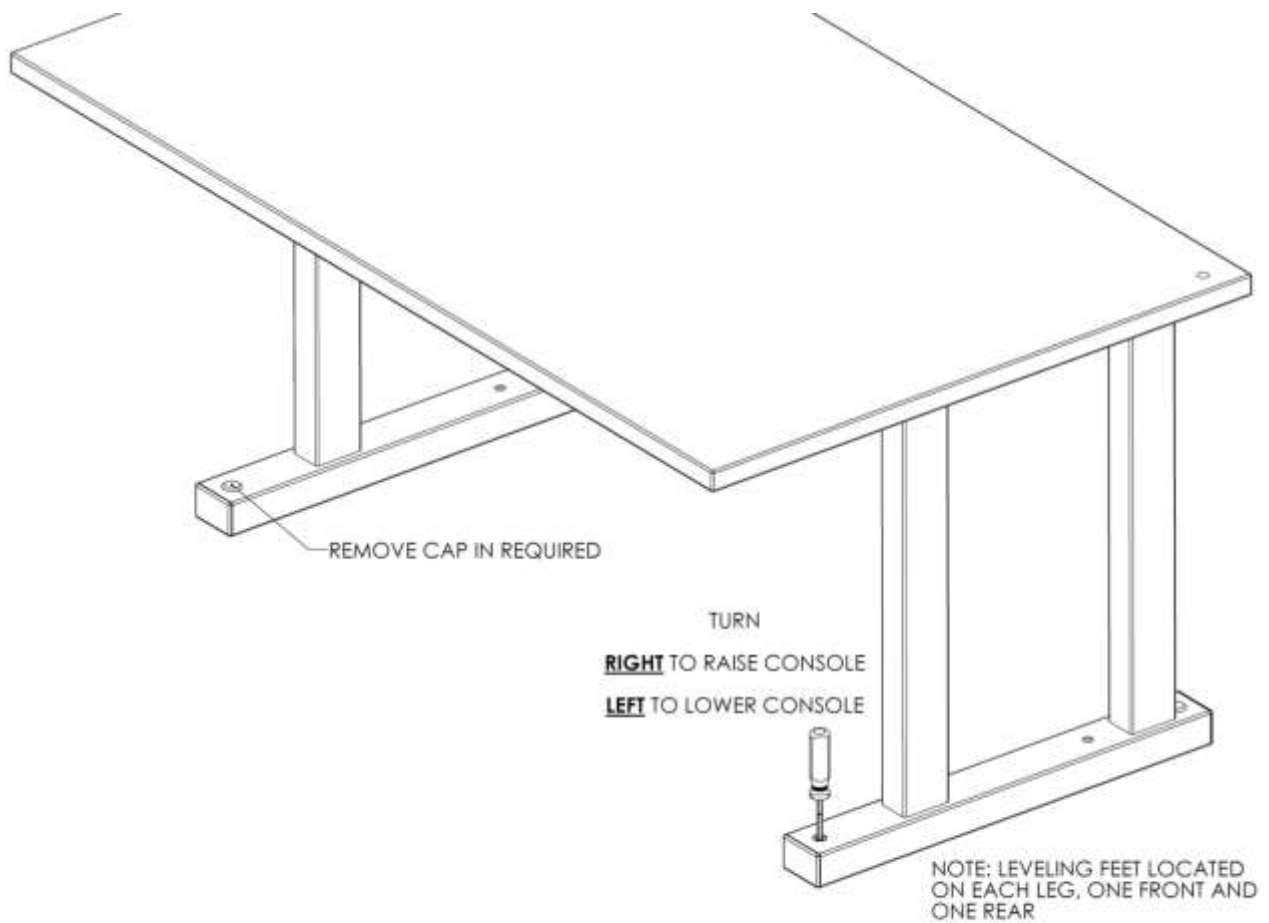


Figure (6)

Once the consoles are level ensure the corner work surface is aligned. Using the #10 x 7/8" zinc plated, washer head screws attach the corner work surface to the plates. If anti-sag bar is used install it at this time using the #8 x 3/4" Truss head screws. Figure (7). For baying see figure (8).

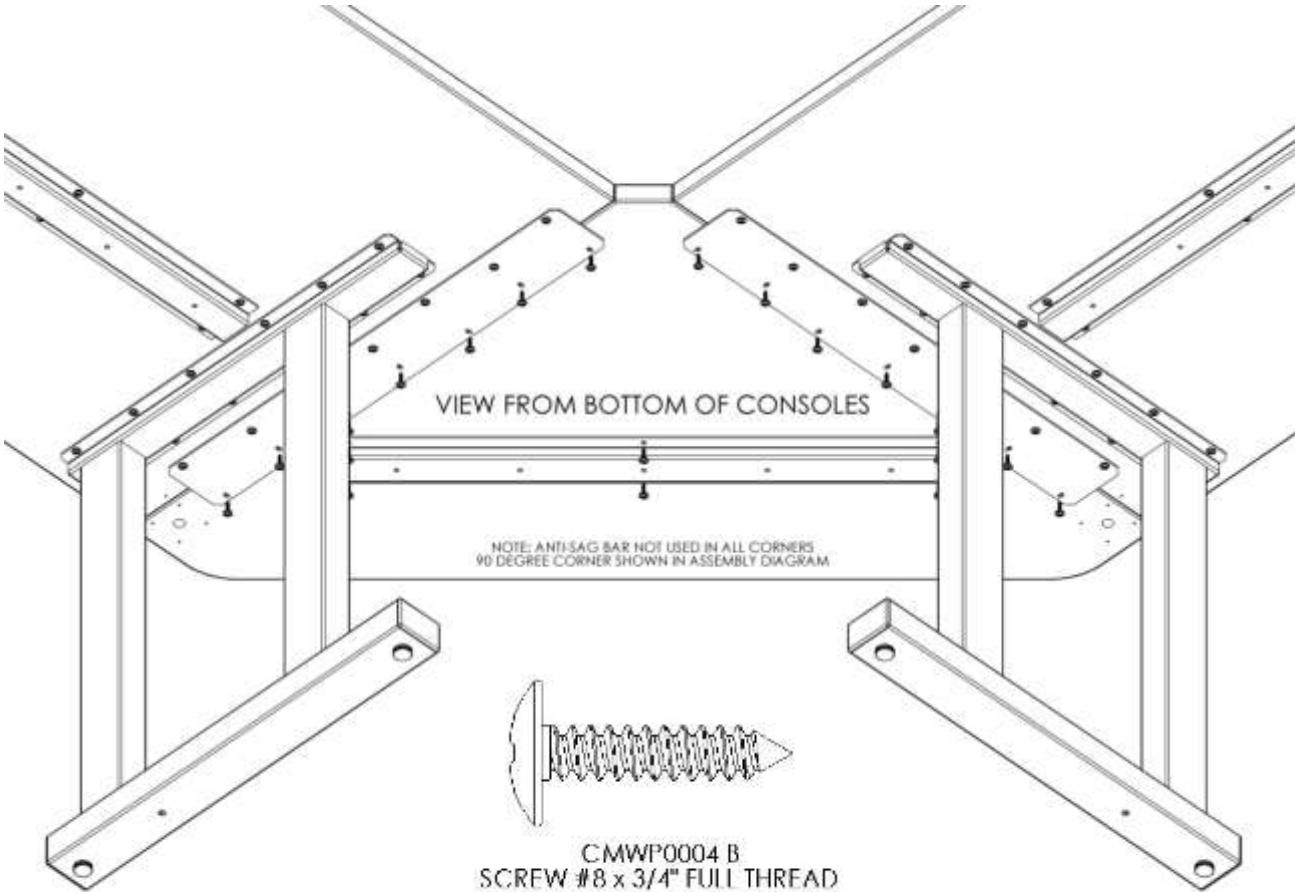


Figure (7)

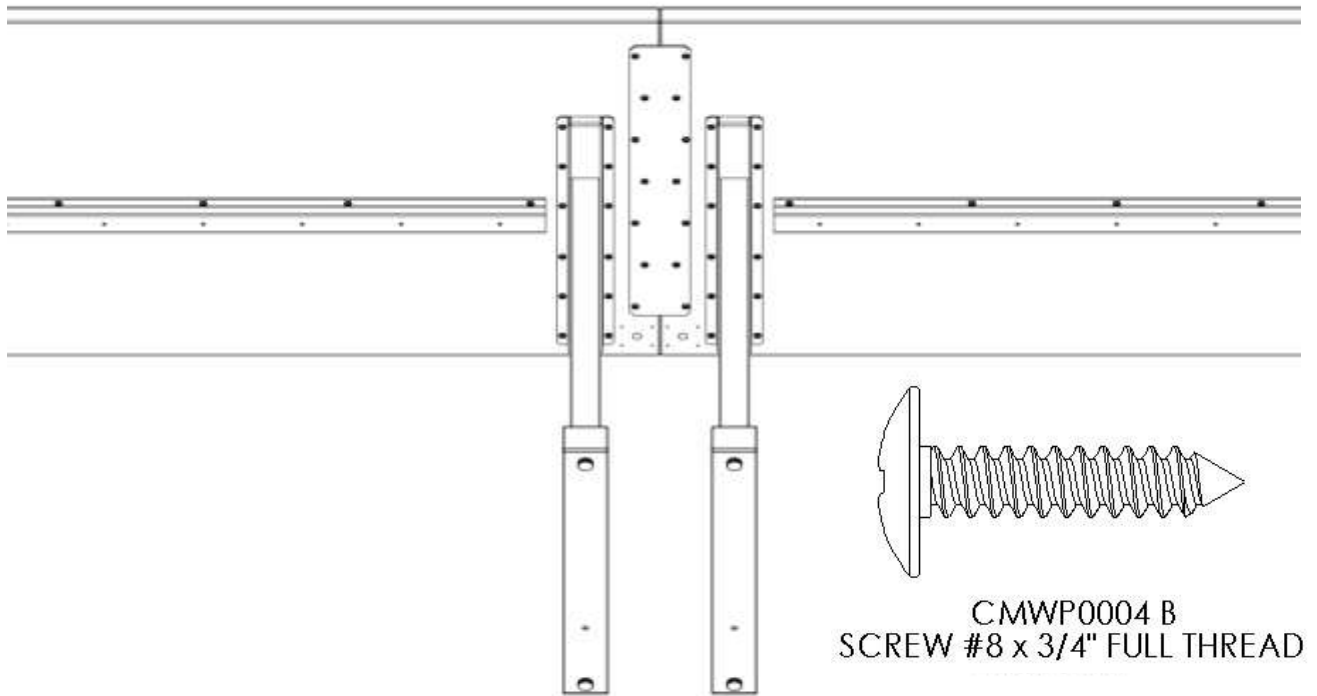


figure (8)

After all the consoles and corners are in place and secured you can proceed to install the rest of your Summit™ console

Modesty Panels

NOTE: Modesty panels finish the look of your Summit™ console. they also provide an area for mounting power distribution units and cable management components.

WARNING: If installing the slat wall option do that first! Modesty panels will have to be removed to install the slat wall option if they are already in place. See page 16 for slat wall option installation.

Modesty panels are installed on the consoles using the modesty panel retaining brackets. While both sides of the modesty panels are finished only one side of the modesty panels will have small pilot holes. This step may be easier with a helper to hold the modesty panel in place while you are installing the screws.

Place the modesty panel on top of the rear portion of the legs. Fasten the modesty panel retaining brackets with the #8 x 3/4" Truss head screws to the modesty panel. Only one side of the modesty panel will have the pilot holes for the mounting brackets. The bracket should wrap around the vertical part of the leg, with brackets installed at both legs the modesty panel will be secured in place. Figure (9)

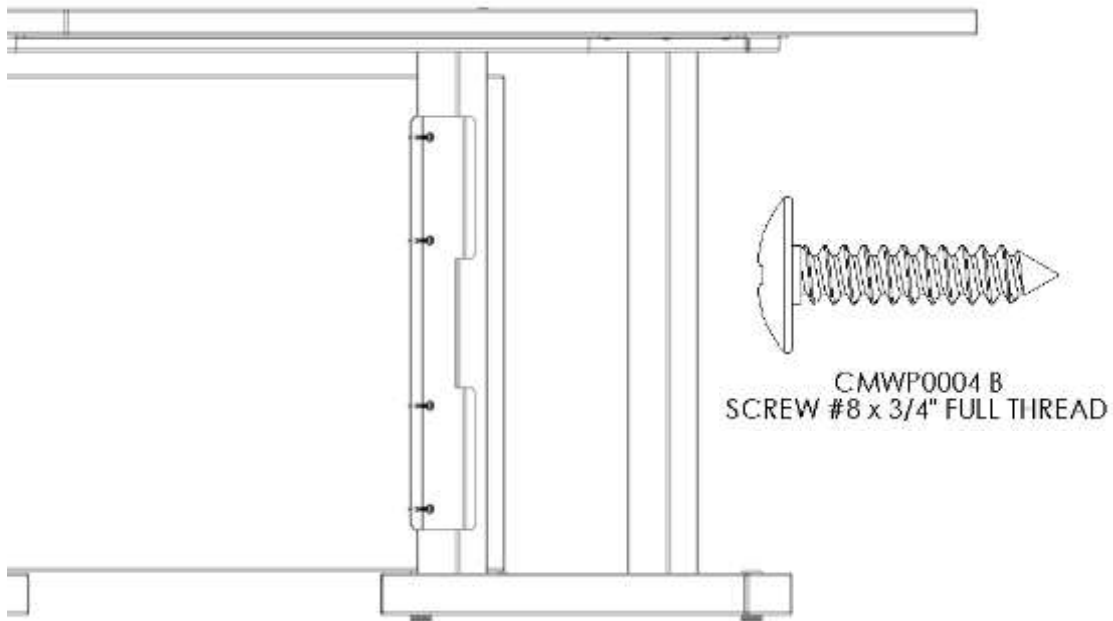


figure (9)

Corner Modesty Panels

NOTE: Modesty panels finish the look of your Summit™ console. they also provide an area for mounting power distribution units and cable management components.

WARNING: If installing the slat wall option do that first! Modesty panels will have to be removed to install the slat wall option if they are already in place. See page 16 for slat wall option installation.

Corner Modesty Panels are installed at corners to extend the console modesty panels through the corners. Corner Modesty panels are secured with two corner modesty panel mounting plates and the #8 x 3/4" Truss head screws. While both sides of the corner modesty panels are finished only one side of the corner modesty panel will have small pilot holes that align with the corner modesty panel mounting plate. This step may be easier with a helper to hold the corner modesty panel in place while you are installing the screws. The existing modesty panels that the corner modesty panels will be secured to might require pilot holes to be drilled on site. If the corners are part of a pre defined configuration when shipped, the pilot holes will be drilled at the factory. Use caution if drilling pilot holes. Ensure their correct location and **DO NOT** drill through the panel, the holes only need to be 1/4-1/2 deep. Figure (10)

Note: Console leg was hidden to show corner mounting plate installation.

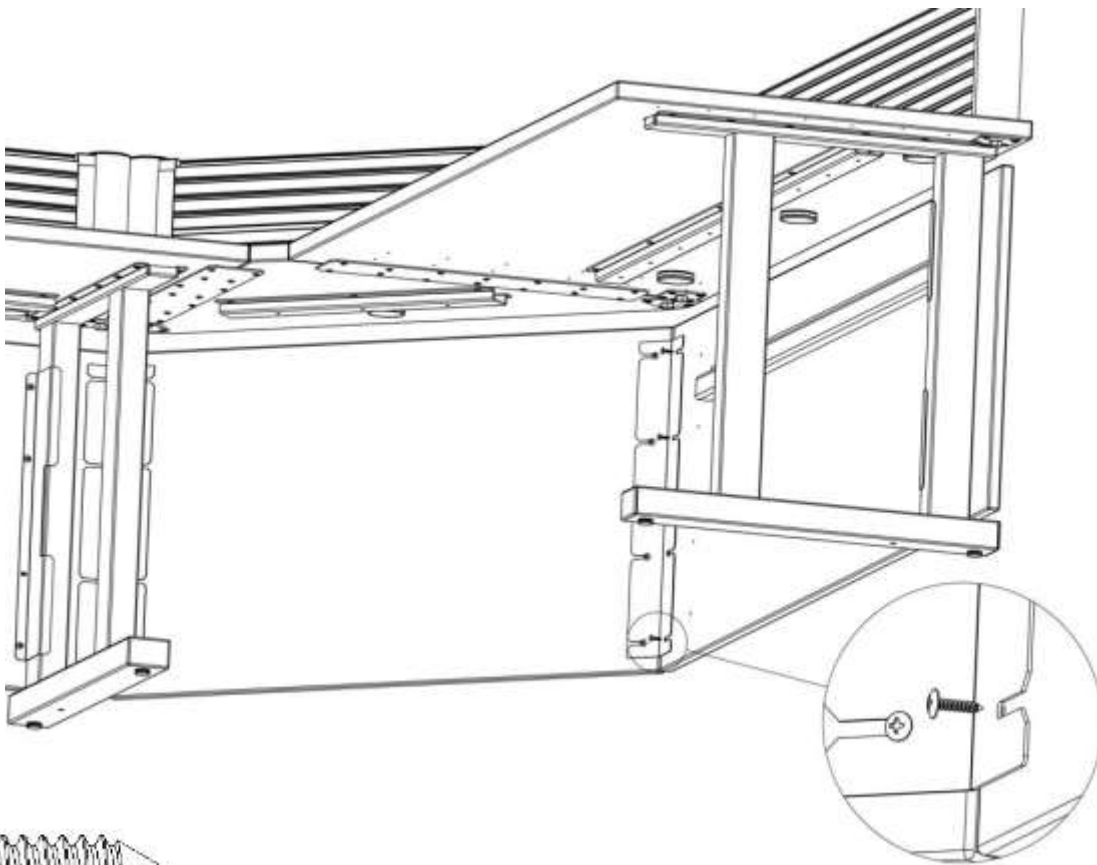


figure (10)



End Panels

End panels are installed in a similar fashion as the modesty panels. The end panel should be placed on the outside of the legs with the bottom of the end panel flush with the bottom of the modesty panel. Fasten the end panel retaining brackets with the #8 x 3/4" Truss head screws to the end panel. Only one side of the end panel will have the pilot holes for the mounting brackets. The brackets should wrap around the vertical parts of the leg, one bracket at the front and one at the rear of the leg. With brackets installed the end panel will be secured in place. Figure (11)

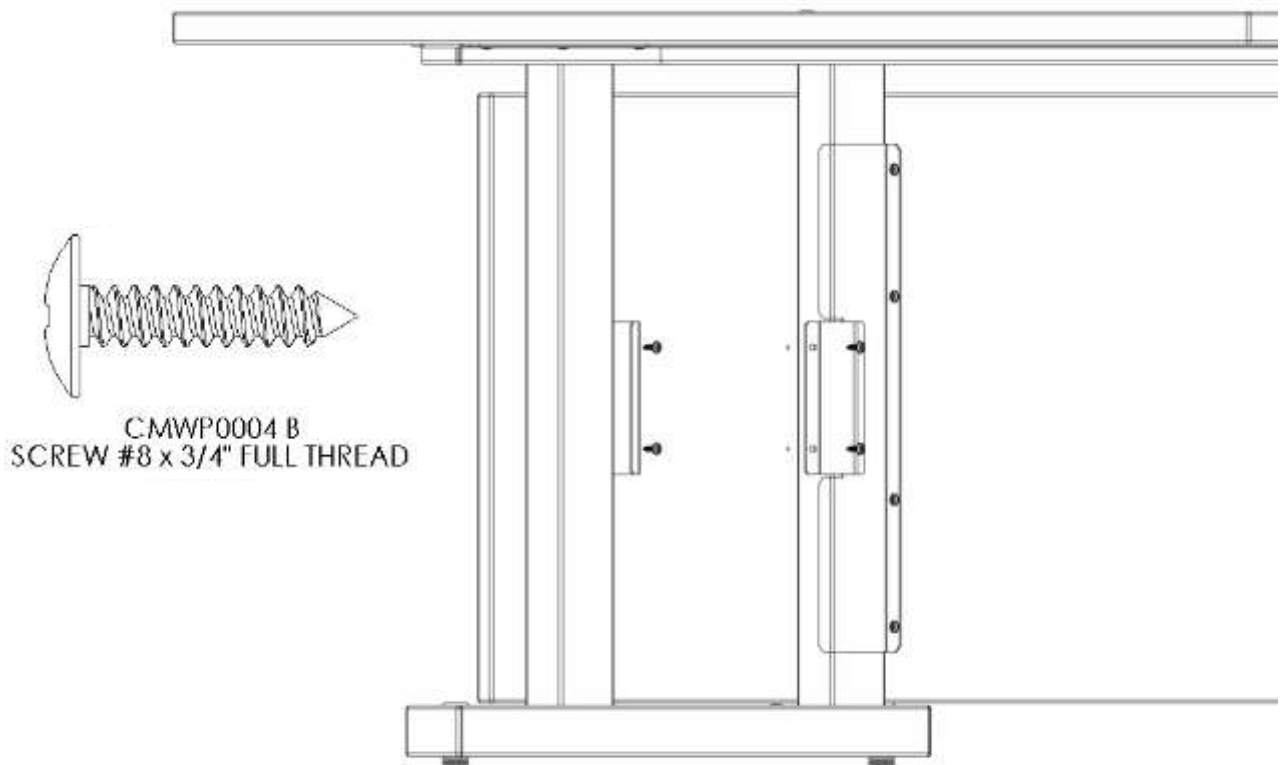


figure (11)

Cable Management

Summit™ consoles can be configured with several cable management options.

A horizontal PVC cable channel can be affixed to the inside of the modesty panel, typically towards the top. Figure (12). Making sure the inside of the modesty panel is clean to ensure good adhesion, remove the protective film from the back of the horizontal cable channel and press into place. Make sure the horizontal cable channel is located where you want it as it cannot be moved after applied.

A vertical PVC cable channel can be affixed to the inside portion of the leg, typically on the modesty panel retaining bracket. Figure (12). Making sure the area of the modesty panel retaining bracket is clean to ensure good adhesion, remove the protective film from the back of the vertical cable channel and press into place. Make sure the vertical cable channel is located where you want it as it cannot be easily moved after applied.

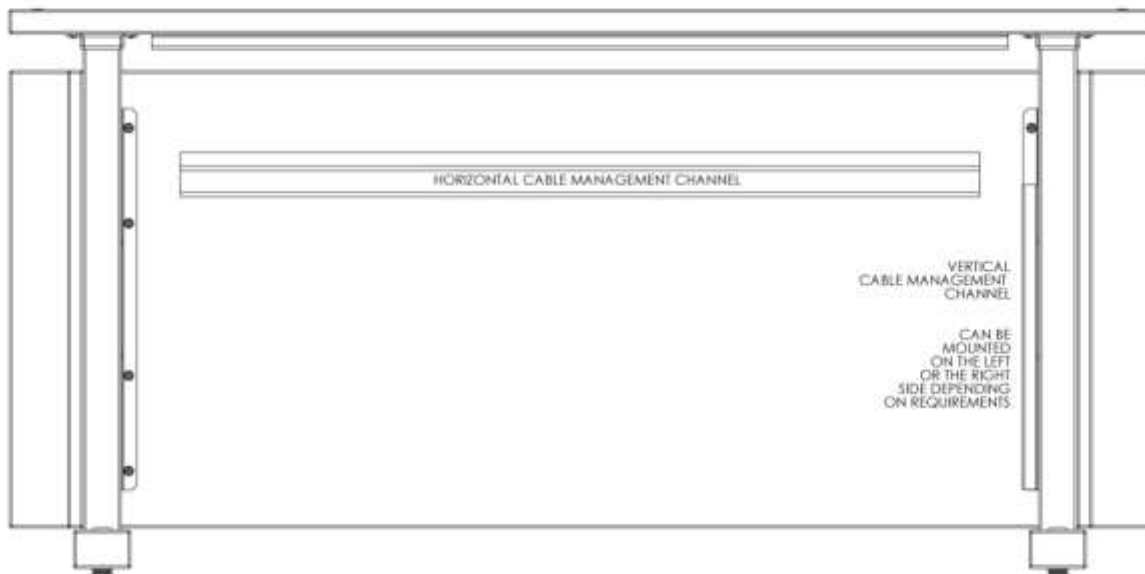


FIGURE (12)

Power Distribution Units

Power distribution units can be mounted to the inside of the modesty panel. See figure (13) for typical installation, size and type can vary. Follow the power distribution units installation instructions.

NOTE: Due to the variation of power distribution units available pilot holes are not present in the modesty panel.

WARNING: If pre drilling is required for power distribution unit mounting use caution when drilling into modesty panel. Avoid drilling through the panel and damaging the exterior laminate surface. Be sure that the hardware used does not exceed the thickness (approx 3/4") of the modesty panel to ensure that the exterior laminate surface is not damaged.

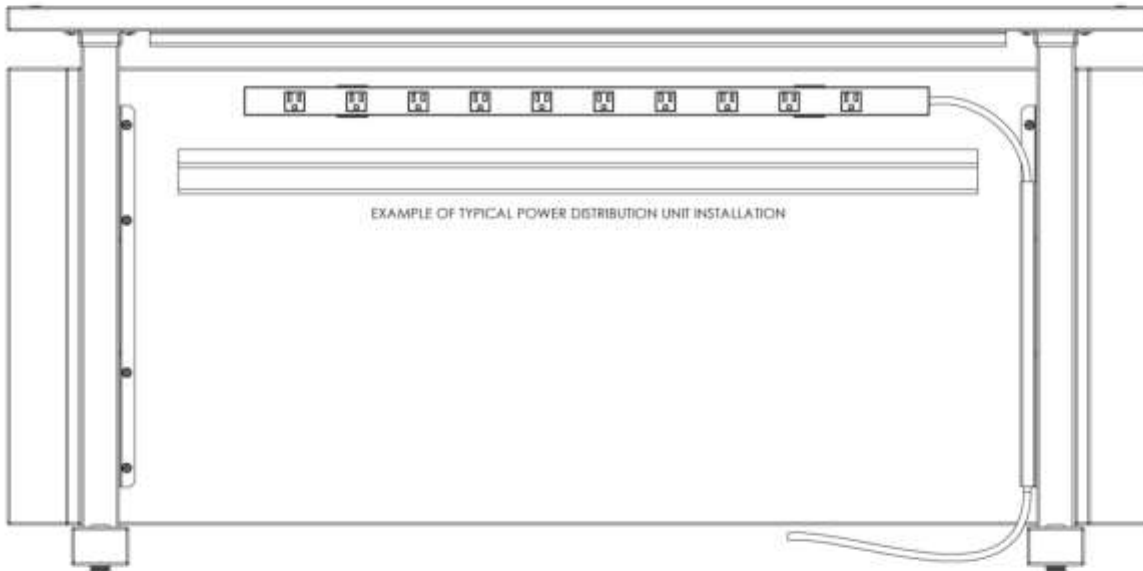


figure (13)

Slat wall

Summit™ consoles can be configured with a slat wall option. This allows monitors and other items that typically rest on the work surface to be mounted on the slat wall. Providing a cleaner work surface and additional monitor adjustment.

Mounting holes for the slat wall option are already provided in the work surface. This includes forward and reverse corners.

To install the slat wall option remove the plastic caps at the left and right rear areas of the work surface. these holes will be used to mount the slat wall retaining posts. First install the slat wall retaining post backing plates under the work surface using the #8 x 3/4" Truss head screws. Use the 1/2-13 x 2-1/2" bolt as a guide to ensure that plate is on center with the mounting hole on the work surface. figure (14).

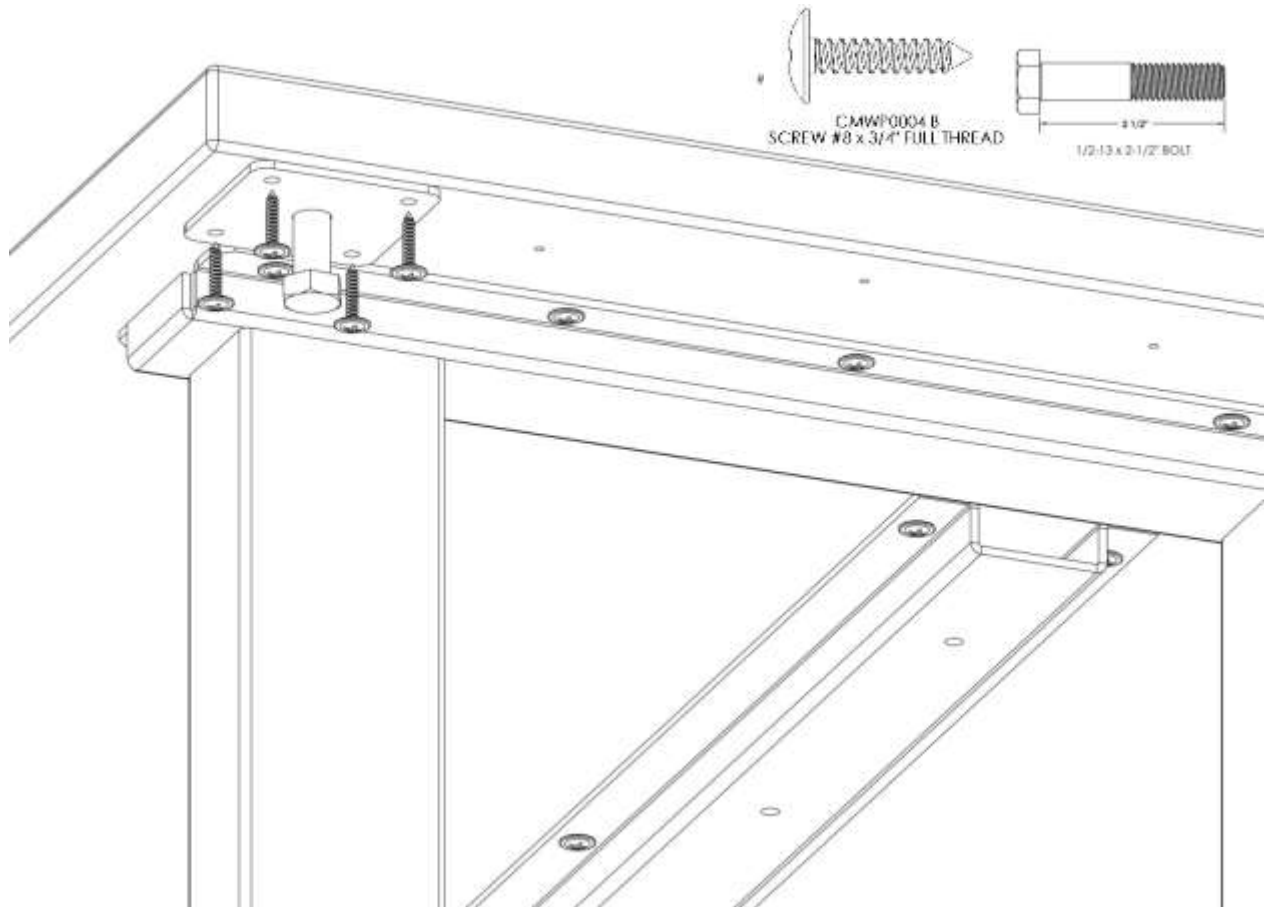


figure (14)

Next you mount the slat wall retaining posts using the 1/2-13 x 2-1/2" bolt and the 1/2" star washer as shown in figure (15). The bolt head requires a 3/4" wrench. Do not completely tighten the post in position, leave it so it can rotate slightly, this will make installing the slat wall and back panel easier.

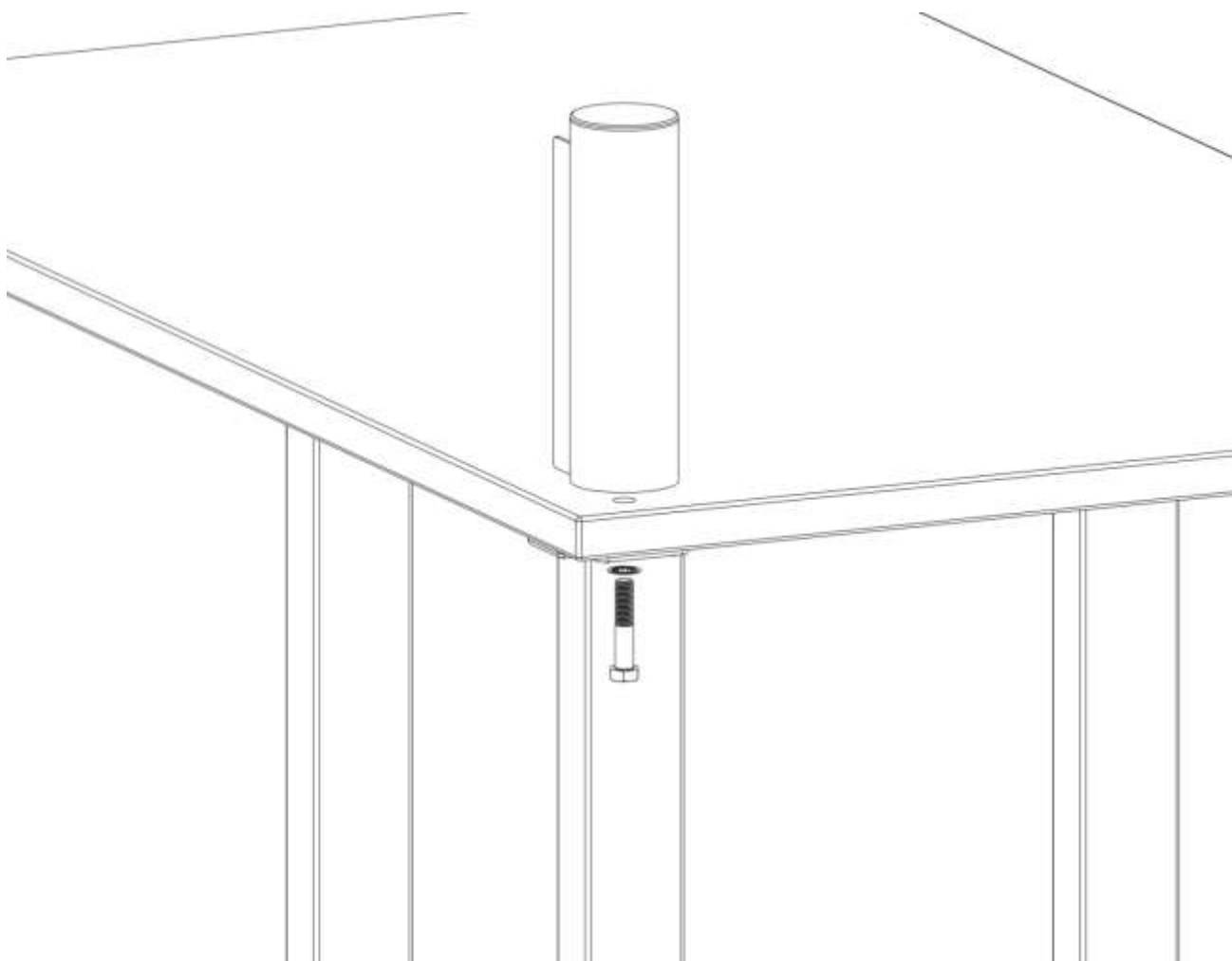


figure (15)

Align the slat wall retaining posts so that open retaining channels on the posts face each other. Install the slat wall by placing them straight down into the retaining channels. Note the orientation of the slat wall in figure (16) there is a top and a bottom to the slat wall.

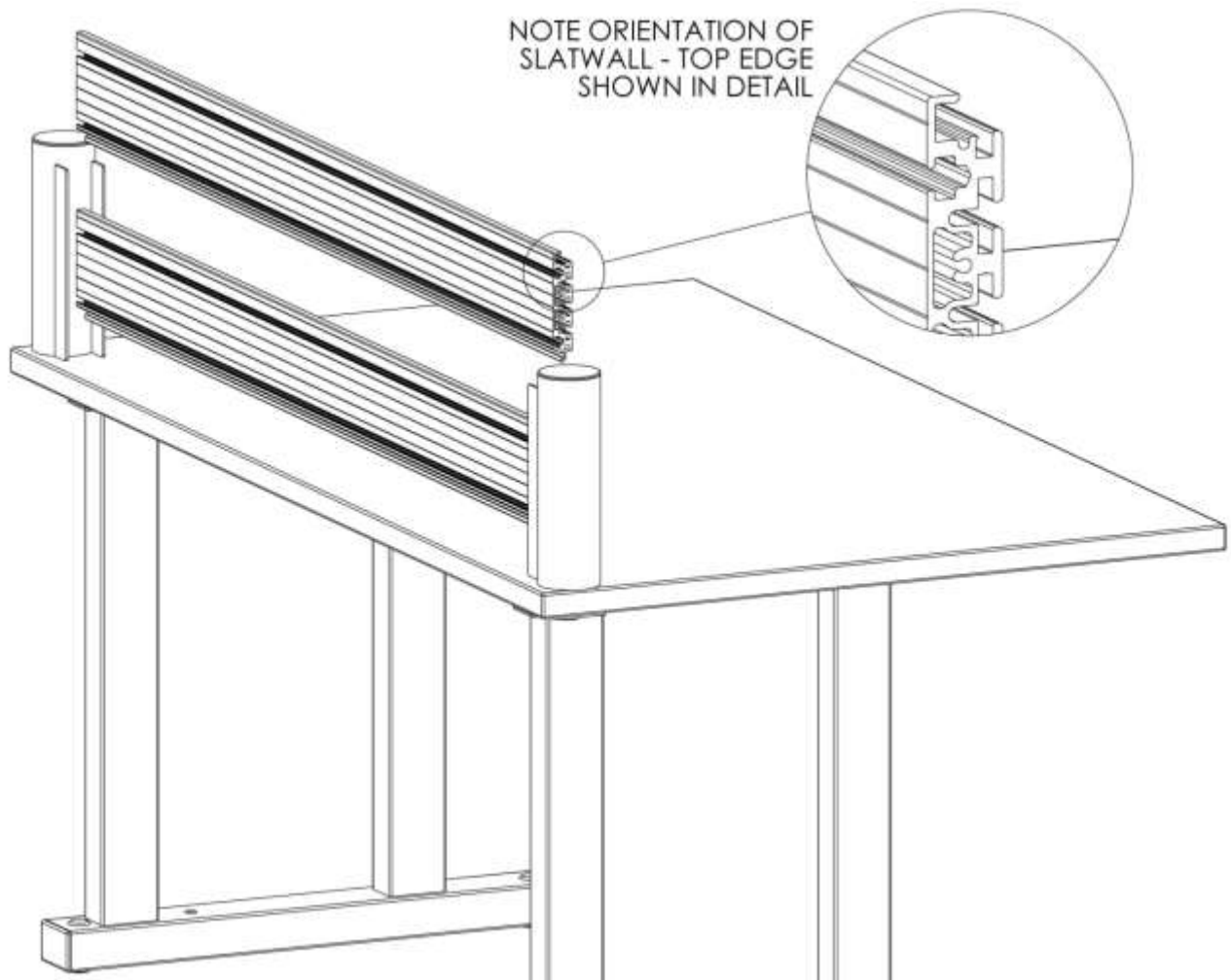


figure (16)

Next install the back panel. The finished laminate side will face out. Slide it in from the top figure (17). Some re-alignment of the slat wall retaining posts may be required to allow the panel to fit all the way in. It should be resting, along with the slat wall directly on the work surface. Once the slat wall and back panel are in place tighten the 1/2-13 x 2-1/2" bolts. While tightening, the slat wall posts will be held in the correct position by the slat wall and back panel. Allowing the slat wall posts to rotate ever so slightly will insure that the slat wall and back panel are secure in the slat wall post retaining channels.

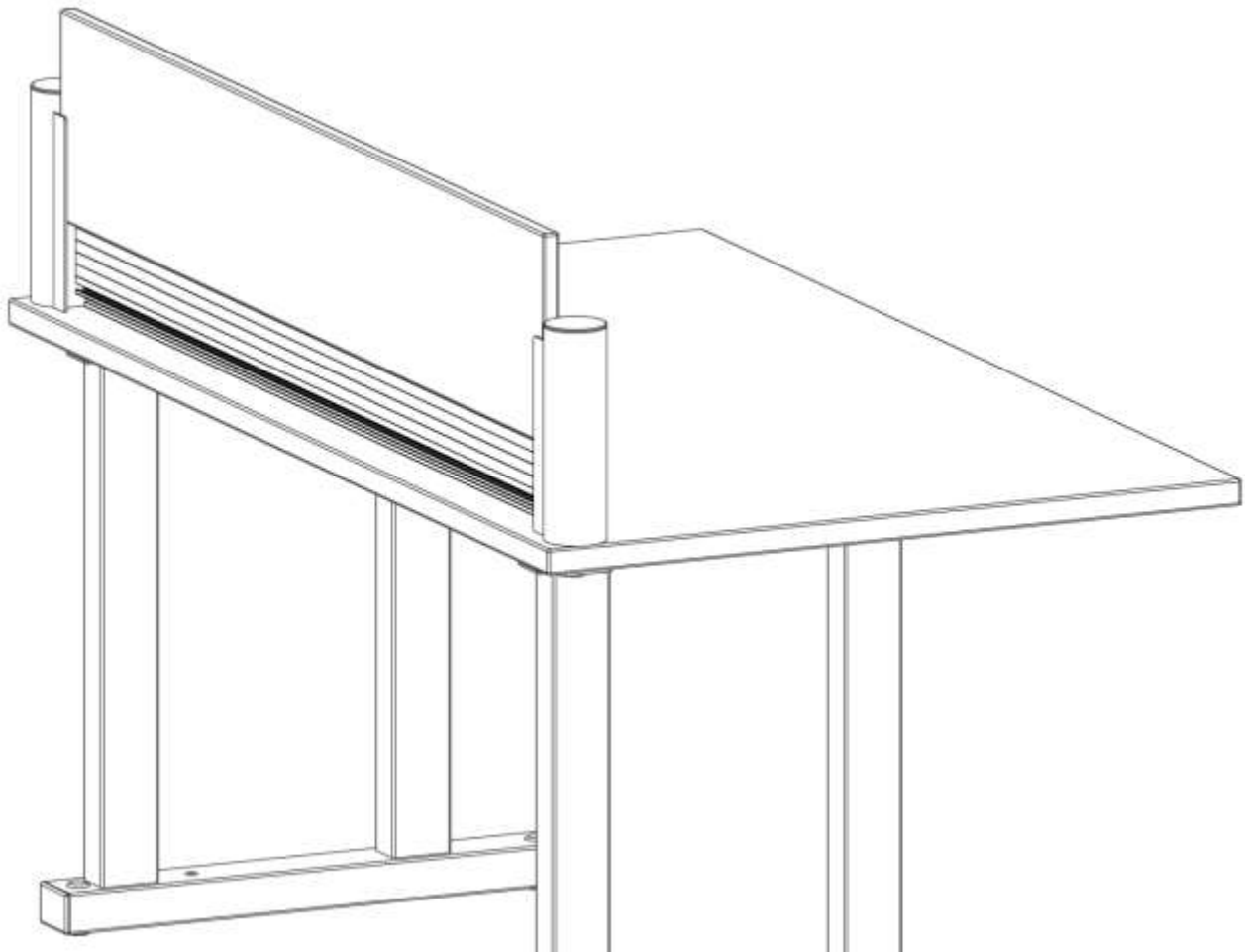


figure (17)

Last, install the slat wall caps, figure (18). They rest on top of the slat wall and back panel to provide a finished appearance to the slat wall option. In some cases they might need to be pushed or tapped into place. Note that there is a left and a right cap.

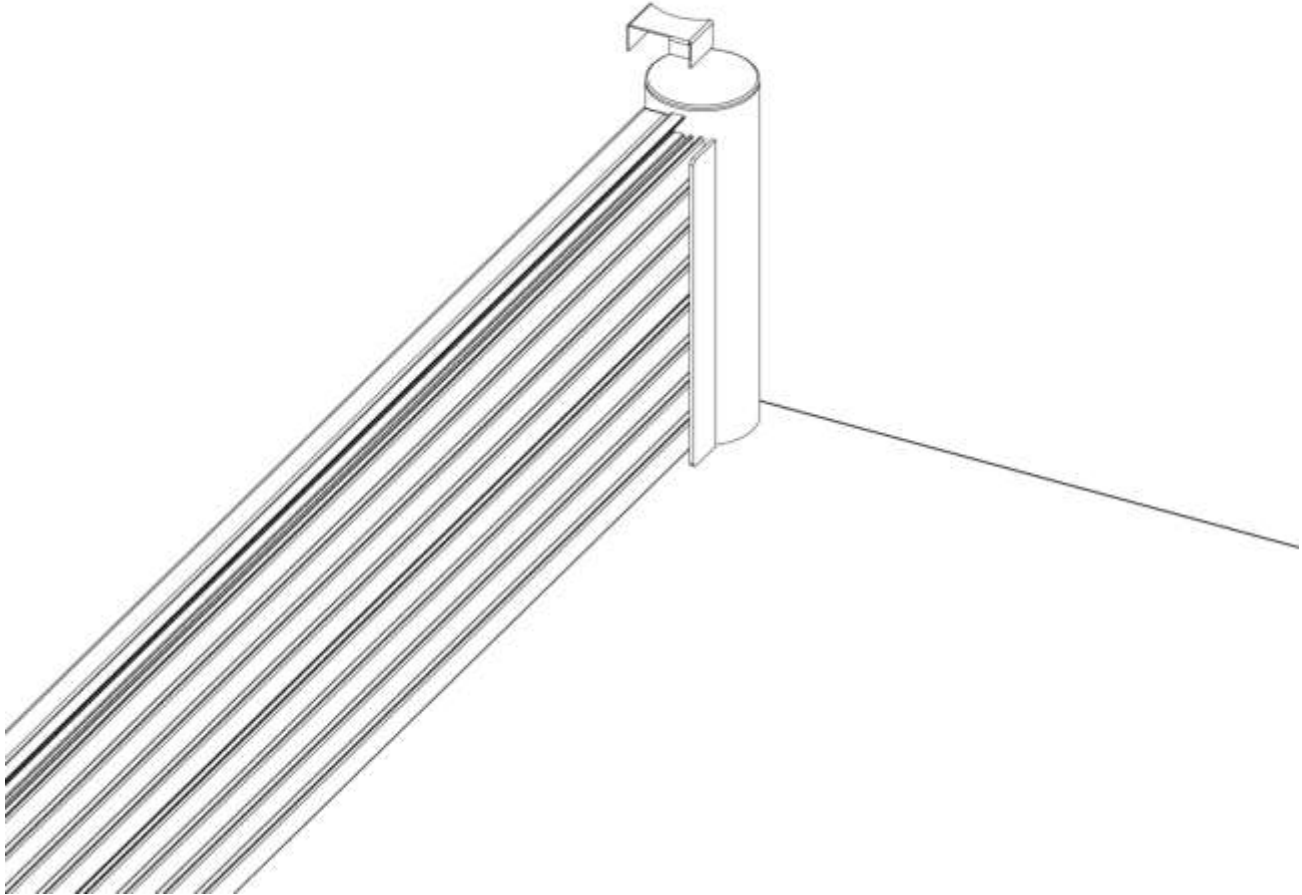
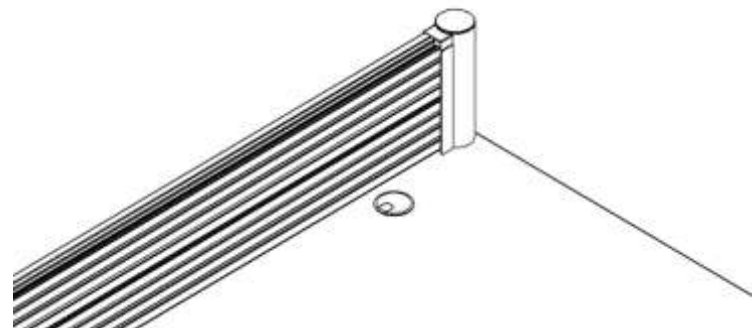
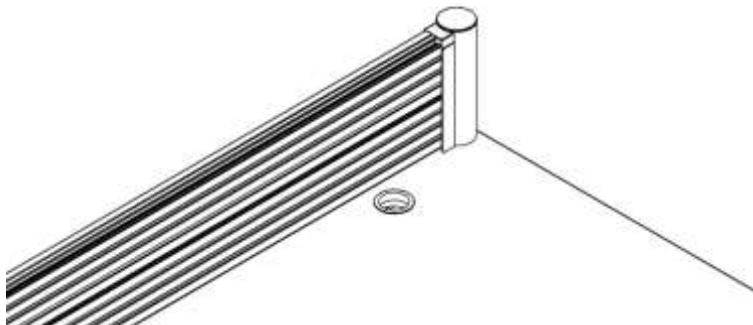
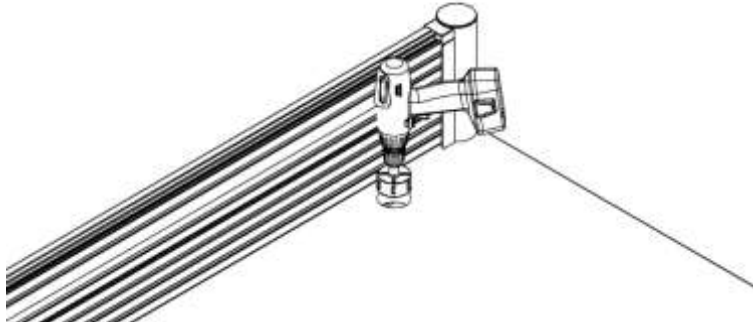


figure (18)

Cable Grommets

All work surfaces are pre drilled for cable grommets unless specified at the time of ordering. If you wish to add any cable grommets you can modify the work surface.

The following is only a guide if modifying the work surface on site for cable grommets. Using the appropriate hole saw for the grommets to be installed, drill holes through work surface. Before drilling be sure holes will not interfere with anything below the work surface.



Monitor Arms

If ordered from the factory the work surface can be pre-configured for the type and location of work surface mounted monitor arms. If modifying the work surface on site to install work surface mounted monitor arms follow the monitor arms manufacturer's instructions.

Data Ports

If ordered from the factory the work surface can be pre-configured for the type and location of work surface accessible power and data ports selected. If modifying the work surface on site to install power and data ports follow the power and data port manufacturer's instructions.

Limited warranty

Inracks Inc. guarantees the Summit Deluxe™ for a period of 7 years from the date of shipment to be free from defects in material and workmanship under normal usage and conditions for which the product was designed. Warranty on all other products provided by Inracks Inc. vary according to the specific product. Contact the Customer Service Department for details.

The Company makes this warranty only to purchasers acquiring the product from the Company, its Authorized Dealers or others who are specifically authorized by the Company to sell such products. The Company's obligation and the purchaser's remedy pursuant to this warranty shall be limited to the exchange of the product or part, which proved to be defective or unsatisfactory. Inracks Inc. reserves the right to have the product inspected at the buyer's location or require it to be returned to Inracks Inc. for inspection. The above warranty does not extend to goods damaged or subjected to accident, abuse or misuse after shipment from Inracks Inc. or to goods which are altered or modified.

Warranty limitations

Except as provided herein, Inracks Inc. makes no warranties, expressed or implied, including: warranties of merchantability and fitness for a particular purpose. Some jurisdictions do not permit limitation or exclusion of implied warranties; therefore, the aforesaid limitation(s) or exclusion(s) may not apply to the purchaser. Except as provided above, in no event will Inracks Inc. be liable for direct, indirect, special, incidental, or consequential damages arising out of the use of this product, even if advised of the possibility of such damage. Specifically, Inracks Inc. is not liable for any costs, such as lost profits or revenue, loss of equipment, loss of use of equipment, loss of software, loss of data, costs of substitutes, claims by third parties, or otherwise. This warranty gives you specific legal rights and you may also have other rights, which vary according to jurisdiction.

Obtaining service

To obtain support for problems with your Summit Deluxe™:

1. Contact Customer Support at a phone number listed below. A customer service representative will try to help you solve the problem by phone. If they are unable to assist you, you will be referred to engineering.
2. If you must return the product, Inracks Inc. will give you a return material authorization (RMA) number. If the warranty has expired, you will be charged for repair or replacement.
3. Pack the unit carefully. The warranty does not cover damage sustained in transit. Enclose a letter with your name, address, RMA number and daytime phone number; a copy of the sales receipt; and a check as payment, if applicable.
4. Mark the RMA number clearly on the outside of the shipping carton.

Customer support for this or any other Inracks Inc. product is available at no charge in any of the following ways:

Contact Inracks Inc. Customer Support representative by telephone: 716.691.8300
or
e-mail: sales@inracks.com

Copyright © 2014 Inracks Inc.
All rights reserved.

Reproduction in whole or in part without permission is prohibited. Inracks Inc. the Inracks Inc. logo and Summit Deluxe™ are trademarks of Inracks Inc. and may be registered in some jurisdictions. All other trademarks, product names, and corporate names are the property of their respective owners and are used for informational purposes only.

Information contained here within is subject to change without notice

NOTES:

Have a question?

Give us a call at
1-716-691-8300