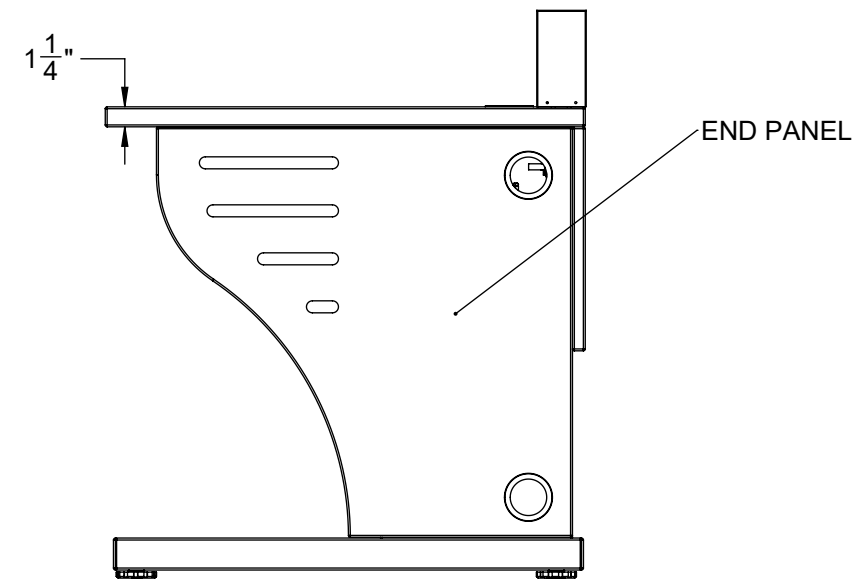
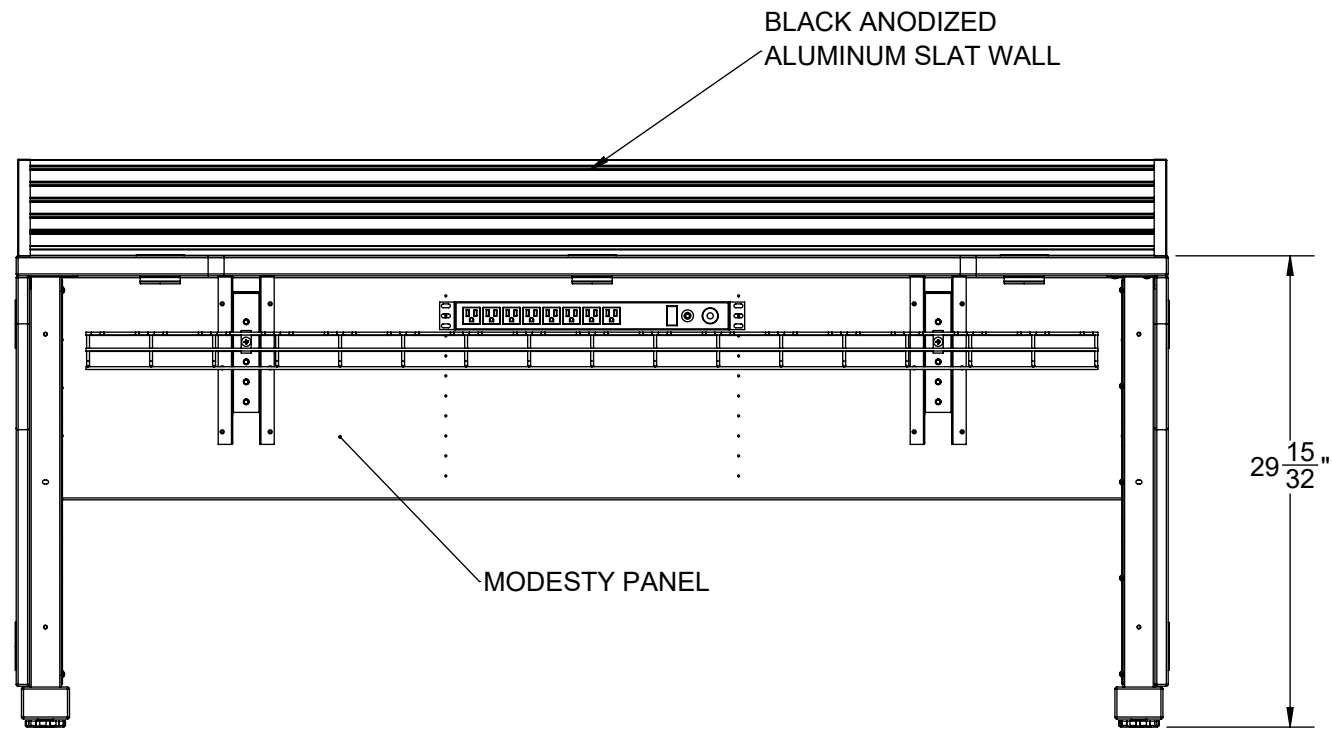
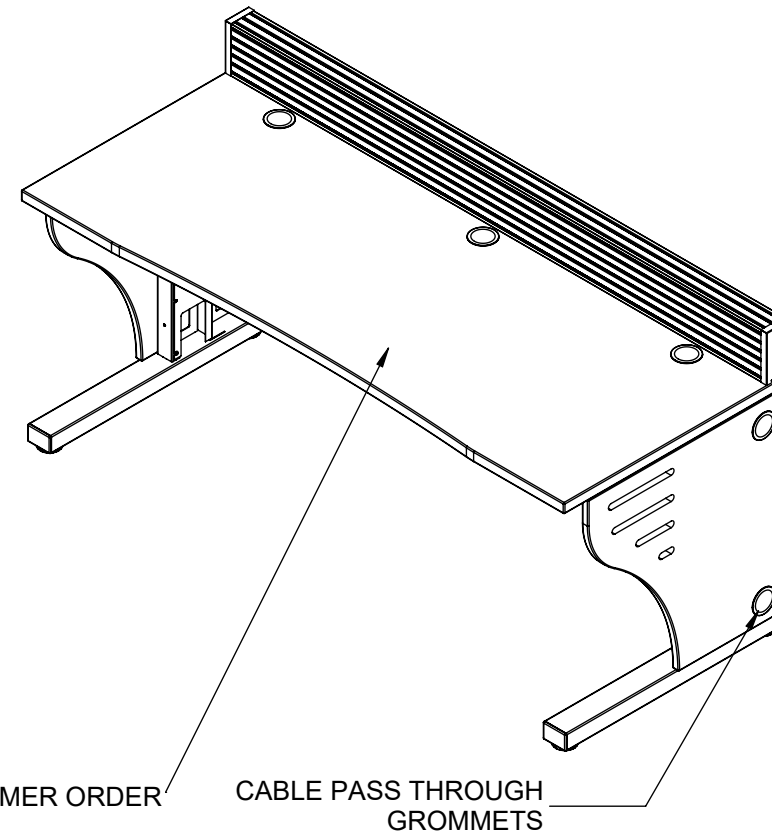
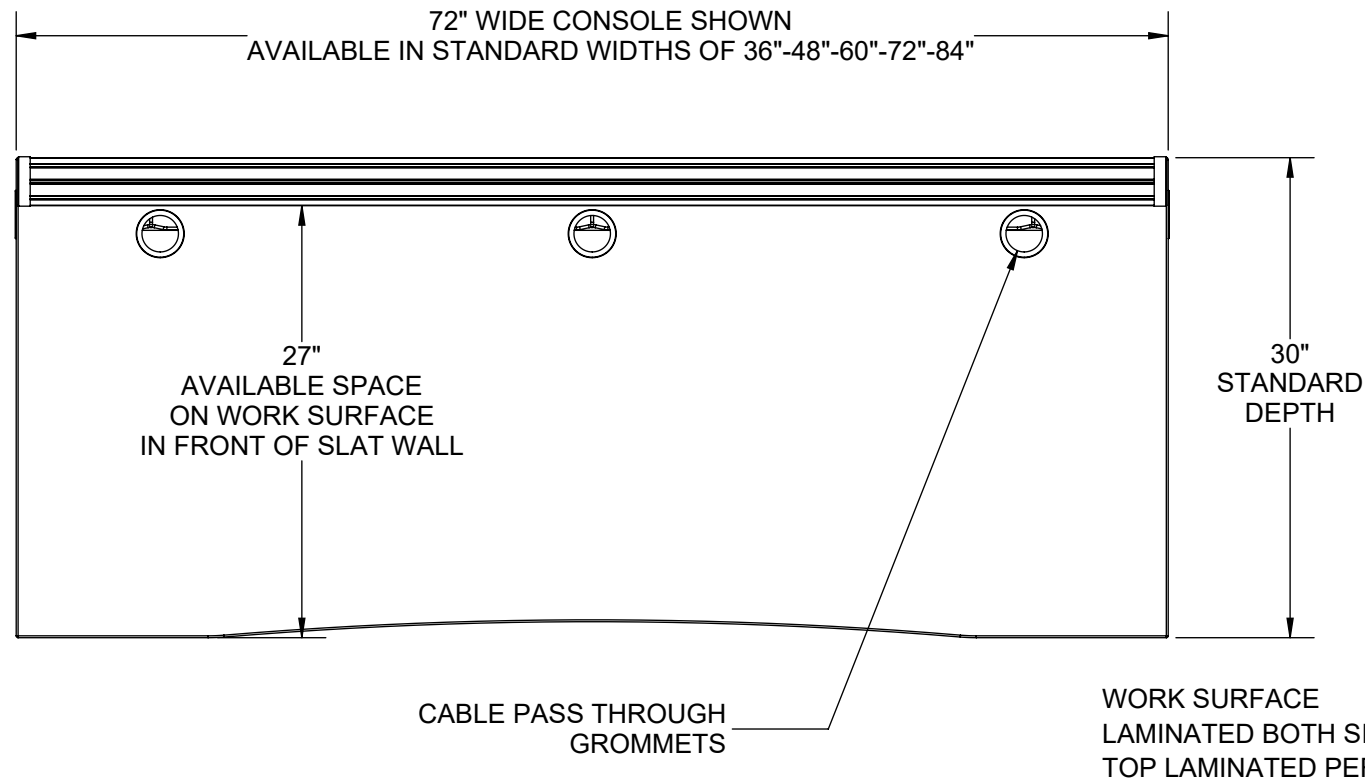


CUSTOMER NAME
 -

PROJECT
 -

DESCRIPTION
**EDGE CONSOLE
 REFERENCE DRAWING**



EDGE CONSOLE SHOWN WITH COCKPIT STYLE WORK SURFACE
 STRAIGHT FRONT EDGE WORK SURFACE ALSO AVAILABLE

REV.	DESCRIPTION	DATE
A	-	1/10/18

DRAWN BY: M McILROY DATE: 1/10/2018

THE INFORMATION CONTAINED IN THIS DRAWING IS THE PROPERTY
 OF INRACKS INC. ANY REPRODUCTION IN PART OR AS A WHOLE
 WITHOUT THE WRITTEN PERMISSION OF INRACKS INC. IS
 PROHIBITED.

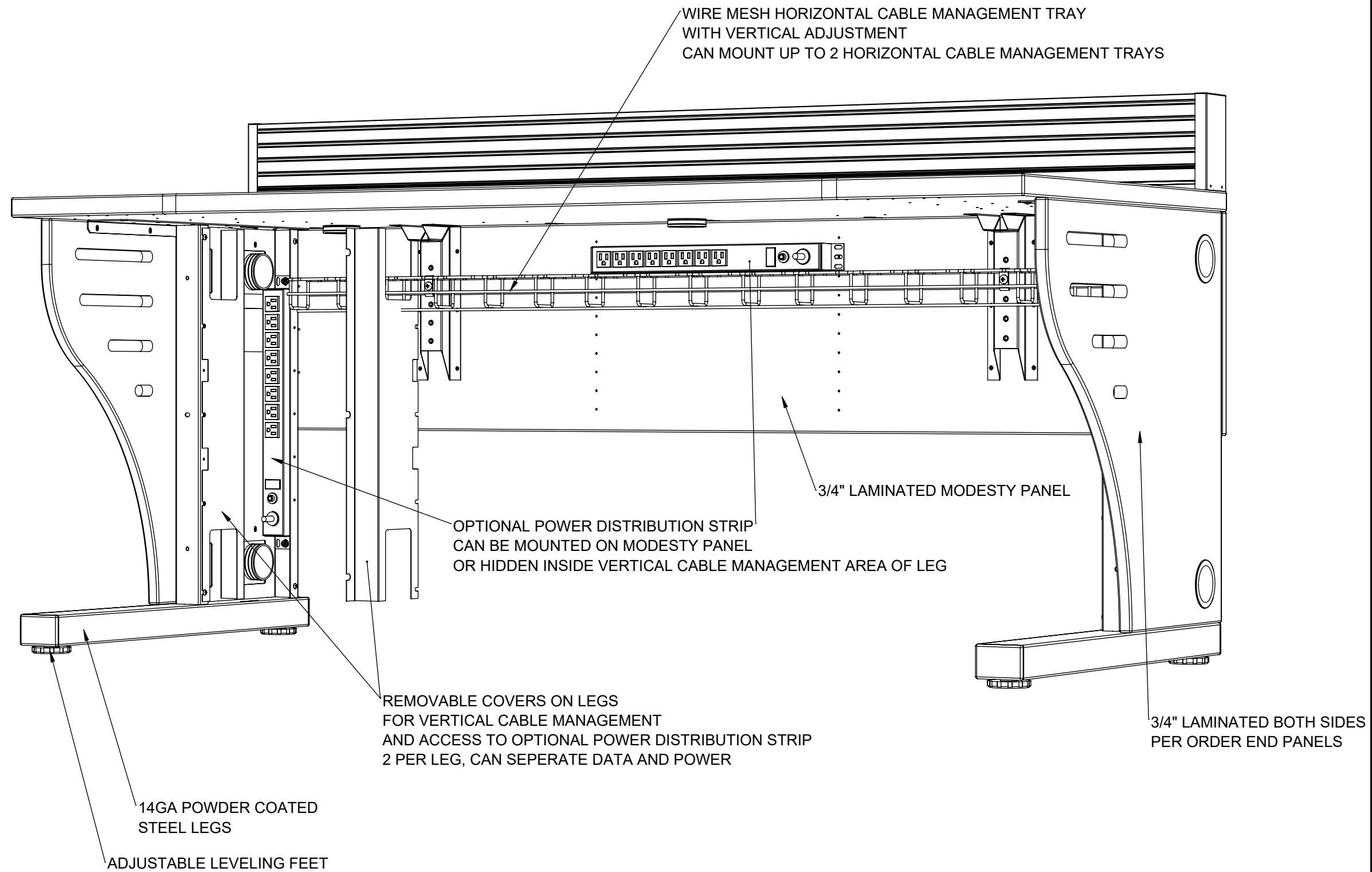
AUTHORIZED BY:

DATE

CUSTOMER NAME
 -

PROJECT
 -

DESCRIPTION
**EDGE CONSOLE
 REFERENCE DRAWING**



EDGE CONSOLE SHOWN WITH COCKPIT STYLE WORKSURFACE

REV.	DESCRIPTION	DATE
A	-	1/10/18

DRAWN BY: M McILROY DATE: 1/10/2018

THE INFORMATION CONTAINED IN THIS DRAWING IS THE PROPERTY OF INRACKS INC. ANY REPRODUCTION IN PART OR AS A WHOLE WITHOUT THE WRITTEN PERMISSION OF INRACKS INC. IS PROHIBITED.

AUTHORIZED BY:

DATE